

LD7™

Mobile Gaming Platform



Operation Guide



Introduction

The LD7 is the latest addition to the blue dog® line of gaming devices. Featuring a slim enclosure, it is robust in function. The two pound LD7 with 7.0" Hi-Brite TFT LCD display utilizes a powerful Intel®/Marvell® processor, providing an optimal combination of performance and power savings. An external battery expansion option provides approximately 6 to 8 hours of additional battery operation for up to 12 hours of mobile usage.

The LD7 uses the Windows® CE operating system which includes client/server computing software, accessories, and applications support.

Package Contents

MAIN PACKAGE

- LD7 (internal battery pack built-in)
- External battery pack (easy on, easy off)
- Built-in, easy to use back stand
- AC/DC power adapter with power cord (Only if required or special order)
- Basic Operation Guide (CD or printed)

ACCOMPANYING PACKAGE

- LD7 charging rack which will simultaneously charge up to 20 LD7 units
- One (1) charging rack accompanies every 20 LD7 units

The LD7

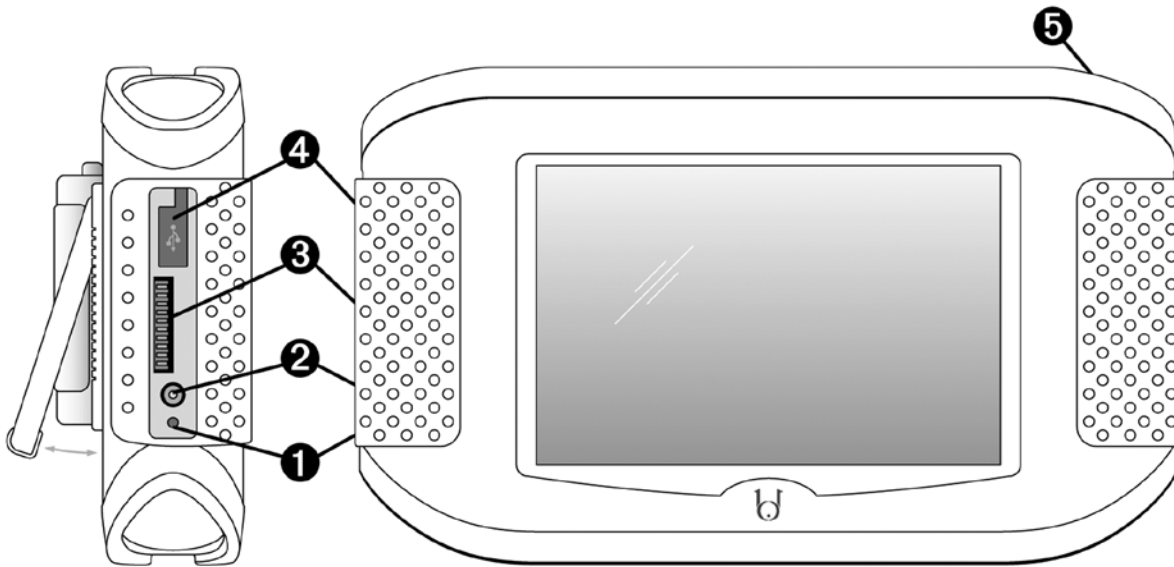
Basic Features

The LD7 wireless tablet integrates a bright and responsive touch display, a USB port and embedded networking elements. The primary package configuration includes 20 LD7s and external battery packs and a 20 unit charging rack; in multiples thereof.

The LD7 integrates a 802.11b/g wireless LAN (WLAN) adapter for local wireless network connectivity.

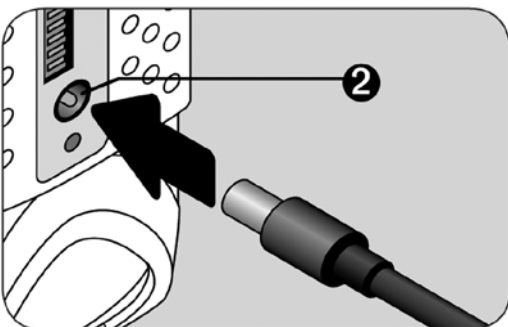
Precautions

- Always exercise care when operating and handling the LD7.
- DO NOT apply excessive pressure to the display screen.
- Avoid touching the display screen with any hard or sharp objects. You may damage the screen.
- Avoid prolonged exposure of the display panel to direct sunlight or other heat sources. The LD7 should face away from direct light to reduce glare.
- Avoid any exposure to prolonged heat over 95°F (35°C) and any cold temperatures below 32°F (0°C). Always store the units in a climate controlled environment.
- DO NOT use any AC/DC adapter other than the one provided with the device or acquired from the LD7 provider.
- In the unlikely event that smoke, abnormal noise, or strange odor is present, immediately power the LD7 off and disconnect all power sources. Report the problem to your LD7 provider immediately.
- Never attempt to disassemble the LD7, as this will void the warranty and could possibly cause harm or injury.

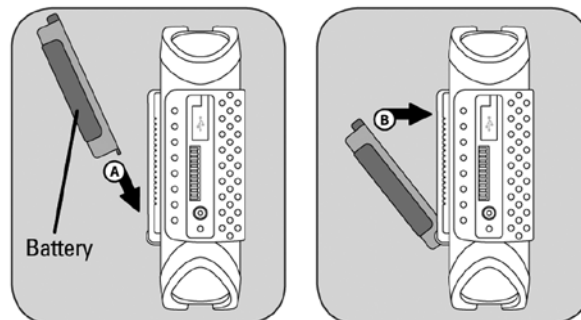


<p>1 Power switch ON/OFF (recessed)</p>	<p>Push/release turns the unit on. Push and hold (over 2 seconds) invokes hardware shutdown. A stylus should be used to push the switch.</p>
<p>2 AC/DC adapter connection</p>	<p>Used only for connecting the AC/DC adapter (when provided) to the unit outside of the charging rack. This provides the capability to charge the unit when a charging rack is not available. Warning: only the AC/DC adapter provided can be used for this purpose. Using any other adapter can cause serious damage to the unit and the components within.</p>
<p>3 Connector to charging rack</p>	<p>Used only for connecting the unit to the LD7 charging rack when the unit is placed into the charging rack. This connector provides the ability to charge the unit while in the charging rack.</p>
<p>4 USB receptacle (with rubber flap cover)</p>	<p>Used for programming, updating and troubleshooting only. Not to be used by customers/players.</p>
<p>5 Headphone plug (with rubber flap cover)</p>	<p>Can be used by the customer to plug in headphones (not provided). The rubber flap should always be used to cover the socket when headphones are not being used to prevent foreign objects from getting into the plug.</p>

Connecting AC/DC adapter:



Attaching the external battery pack:



Using the LD7

External Battery Pack

To prevent battery drain during shipping and extended storage, the external battery should be removed from the LD7 before shipping. The external battery should also be removed from the unit during extended storage over three days without being used. ONLY replace the external battery pack with a replacement supplied by the manufacturer or service provider. Dispose of used batteries according to local regulations and guidelines. When the external battery pack is removed, the rear cover must be attached.

Powering ON and OFF

To activate the LD7, push and quickly release the recessed power ON/OFF switch on the bottom left side of the unit. A stylus should be used for this purpose. The display will come on in a few seconds. To turn the LD7 off for extended storage, close any open applications and press the power ON/OFF button.

NOTE: The battery packs shipped with your device may be low in power – please use the LD7 charging rack when setting up the device for the first time to fully charge the internal and external battery packs before the unit is turned on for the first time or use the AC/DC adapter with the LD7 (if ordered). You may charge the external battery pack while it is attached to the LD7.

NOTE: Avoid using the power ON/OFF switch (“hold over 2 seconds” feature) to turn off the device. This form of hardware shutdown is intended to be a means of recovery from device lockups and for extended storage, and not as normal operation.

Start Up

When the power up is successful, the appropriate interface will be displayed after a launch sequence of several seconds. The wireless LAN connection may take an additional 10-15 seconds to be established.

Configuring the LD7

The LD7 should only be configured by the manufacturer or service provider. If you have any configuration questions, please contact your service provider.

Calibration

The touch display for the LD7 is calibrated before shipping. If you have any calibration questions, please contact your service provider.

Wireless Networking

The LD7 is delivered with an embedded (user-inaccessible) 802.11b/g WLAN adapter equipped with an internal custom antenna. Through the support of typical WLAN adapters, the LD7 will communicate with wireless 802.11 access points and networks. The LD7 and blue dog systems utilize 128 bit data encryption WEP security protocols. The security parameters for the wireless setting and access point hardware will be set up by your system provider.

Battery and Power Management

The LD7 is equipped with an internal lithium-ion battery pack that is capable of supporting approximately 3-4 hours of continuous operation. The period of continuous operation can be extended by approximately 6-8 hours with the external battery pack that snaps (hot-swappable) onto the back of the device. Depending on the operating software, the LD7 may also be configured by authorized personnel to enter various power-saving modes through timed entry.

Peripherals Support

Through its USB ports, the LD7 supports a wide range of USB based peripherals. These peripherals are applicable for software installation, applications storage, data storage, and system software recovery, as well as updates. This feature can only be accessed and used by authorized personnel with the proper security code and authorization.

Moving the Unit

The LD7 is specifically designed to be conveniently stacked one on top of the other to move several units at one time from one place to another. DO NOT stack more than five units one on top of the other at one time. The external case could be broken causing irreparable damage to the internal parts if more than five units are stacked at one time. When "routing" is used in LD7 deployment it is recommended that the external battery be removed while in transit.

Upright Stability

The built-in back stand allows the unit to set upright during usage. For maximum stability, fully extend the stand until it clicks into the locked position, and only set the unit on a flat, level surface.

Storing the Unit

The LD7 should always be stored in the slots molded into the charging rack provided with every 20 LD7 units. This specially designed charging rack provides the appropriate electrical power to recharge both the internal and external battery packs.

When sliding the LD7 into the charging rack, ensure the arrow on top of the LD7 is visible and insert the LD7 into the charging rack in the direction the arrow is pointing.



When the LD7 is pushed into the slot, it must be pushed firmly (but not slammed) in the slot so the LD7 connects to the switch on the back side of the rack. The operator should hear and feel a firm click when the LD7 is seated properly.

Charging the Unit

The LD7 can be charged while correctly seated in one of the 20 slots in the charging rack or connected to the AC/DC adapter (when provided). The external and internal battery packs are charged while attached to the unit using either method.

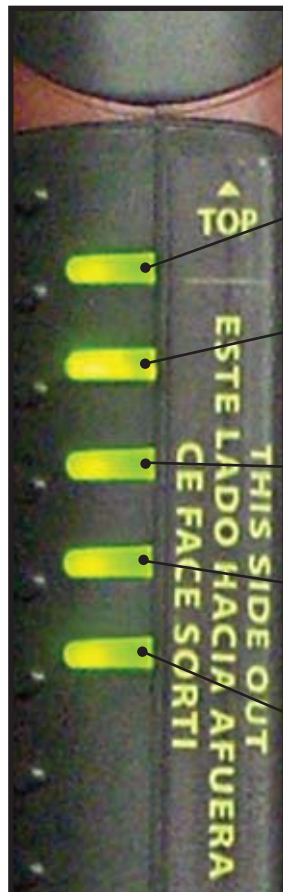
When the charging rack is plugged into power and the LD7s are seated in the charging rack slots, the LD7s will automatically start charging. You can see if the LD7s are charging by observing the LEDs on the side of the LD7. (See LED Display Index below)

The charging rack must be plugged into a 20 Amp 115-120 volt circuit. Two charging racks can be powered by the same circuit. If any more than two (2) charging racks are plugged into one circuit, the circuit breaker may trip or the circuit may become very warm. If this is done, the warranty is void.

AC/DC Adapter with Power Cord (when provided)

The unit can be charged with the AC/DC adapter. Simply plug the power cord into an AC wall outlet. Plug the LD7 specific connector from the AC/DC adapter into the LD7 as shown above. In either case the LD7's internal and external battery pack will begin the charging cycle and can be monitored via the LED lights, as shown below:

LED Display Index



LED 1 and **LED 2** display the status of the external and internal battery while the LD7 is in play.

LED 1 (TOP)

External Battery Status

Green	Fully Charged
Red	Low

LED 2

Internal Battery Status

Green	Fully Charged
Red	Low

LED 3 and **LED 4** display the status of the batteries when in the charging rack or while using the AC/DC adapter.

LED 3 (MIDDLE)

External Battery

Green	Fully Charged/AC Power
Red	Charging

LED 4

Internal Battery

Green	Fully Charged
Red	Charging

LED 5 is lit only when the unit is turned on. The unit batteries may be charged in either the on or off position.

LED 5 (BOTTOM)

Device Power On/Off

Green	On
-------	----

Specifications

Display	7" Hi-Brite TFT LCD
Display Resolution	800 x 480 (SVGA)
Processor	Intel®/Marvell® PXA270 - 520 MHZ
Touch Panel	4 Wire Resistive Touch
Memory (RAM)	128MB - SDRAM
Operating Systems	Windows® CE
Storage	Internal Compact Flash Slot
Audio System	AC '97 Link Audio System
Wireless Interface	Internal 802.11b/g
Network Interface	Integrated Onboard LAN
Application Buttons	Sink Type Power SW
Input/Output Ports	19V DC-in Jack; Headset Jack; USB 1.1 Port
AC/DC Adapter	Input: 100-240VAC, 1.5A; Output: 19VDC, 3.16A
Power Cords	North America, EU, UK
Battery Packs (Lithium-Ion)	Internal 3 Cell Optional External 6 Cell
Dimensions (H x W x D)	6.25 x 10.25 x 1.00 (in); 159 x 260 x 26 (mm) without external battery
Base Weight	2.0 lbs 90.91 kg) without external battery 2.7 lbs (1.23 kg) with external battery
Certification	CE, FCC Class B, VCCI Class A, RoHS compliant
Operating Temperature	0° - 40° C
Operating Humidity	20% - 80% non-condensing

CAUTION: Do not stack or ship with external battery attached.

NOTICE: The functions available on your LD7 may vary in different regions. Please contact your service provider if you have any questions about your LD7's particular functionality.

blue dog reserves all rights to revise, change or update this manual without obligation to notify any person of such revisions or changes.

Service & Access Restrictions

Service and access to the internal components of the LD7 and the charging rack is restricted to blue dog authorized service representatives only. The LD7 charging rack contains no end-user-serviceable parts and access is prohibited. Please contact a blue dog authorized service representative for technical assistance.

Federal Communications Commission (FCC) Statement

15.21

You are cautioned that changes or modifications not expressly approved by the party responsible for compliance could void the user's authority to operate the equipment.

15.105(b)

This equipment has been tested and found to comply with the limits for a Class B digital device, pursuant to part 15 of the FCC rules. These limits are designed to provide reasonable protection against harmful interference in a residential installation. This equipment generates, uses and can radiate radio frequency energy and, if not installed and used in accordance with the instructions, may cause harmful interference to radio communications. However, there is no guarantee that interference will not occur in a particular installation. If this equipment does cause harmful interference to radio or television reception, which can be determined by turning the equipment off and on, the user is encouraged to contact your service provider.

OPERATION IS SUBJECT TO THE FOLLOWING TWO CONDITIONS:

- 1) this device may not cause interference and
- 2) this device must accept any interference, including interference that may cause undesired operation of the device.

FCC RF RADIATION EXPOSURE STATEMENT:

This equipment complies with FCC radiation exposure limits set forth for an uncontrolled environment. End users must follow the specific operating instructions for satisfying RF exposure compliance. This transmitter must not be co-located or operating in conjunction with any other antenna or transmitter.



9900 Clinton Road
Cleveland, OH 44144
www.bluedoggaming.net
Sales Support: 800-615-8969
Technical Support: 800-277-6214

Your best friend in gaming™